



# Installation instructions, accessories

Volvo Car Corporation Gothenburg, Sweden

Instruction No	Version	Part. No.
31414344	1.0	31359328

## Electric engine heater, 110 V



IMG-380063



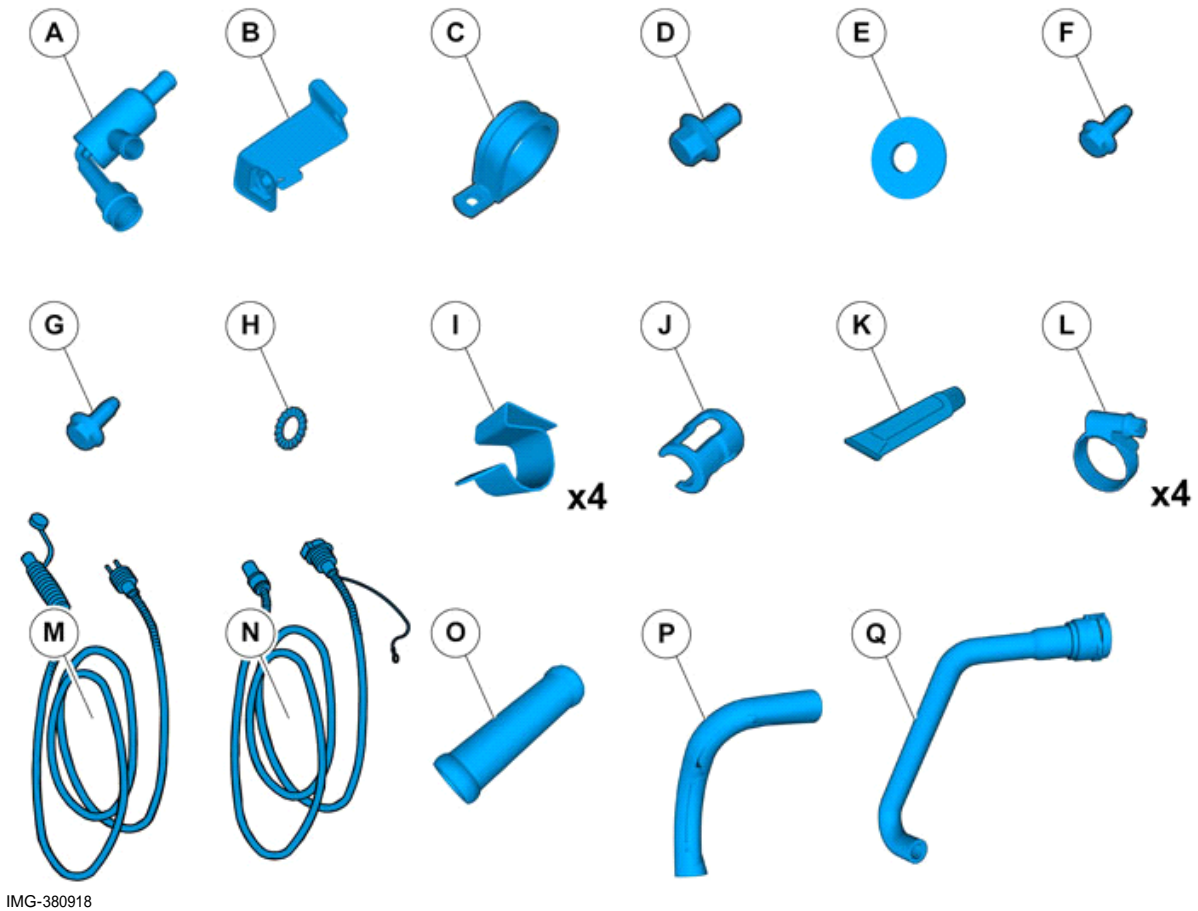
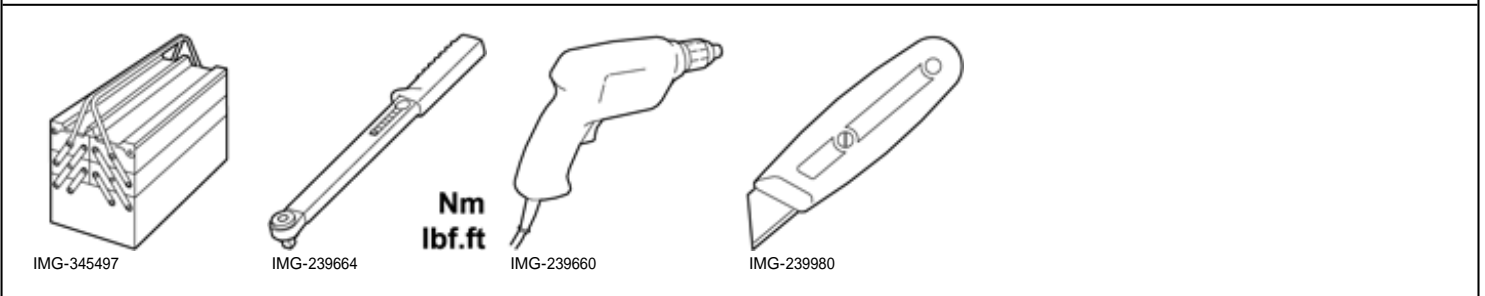
# Installation instructions, accessories

Volvo Car Corporation Gothenburg, Sweden

## Materials

Designation	Part number
Grease	1161761

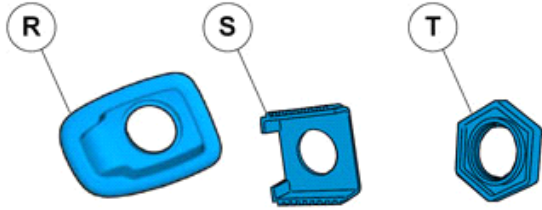
## Equipment





# Installation instructions, accessories

Volvo Car Corporation Gothenburg, Sweden



IMG-380920



# Installation instructions, accessories

Volvo Car Corporation Gothenburg, Sweden

## Information

1

Read through all of the instructions before starting installation.

Notifications and warning texts are for your safety and to minimise the risk of something breaking during installation.

Ensure that all tools stated in the instructions are available before starting installation.

Certain steps in the instructions are only presented in the form of images. Explanatory text is also given for more complicated steps.

In the event of any problems with the instructions or the accessory, contact your local Volvo dealer.

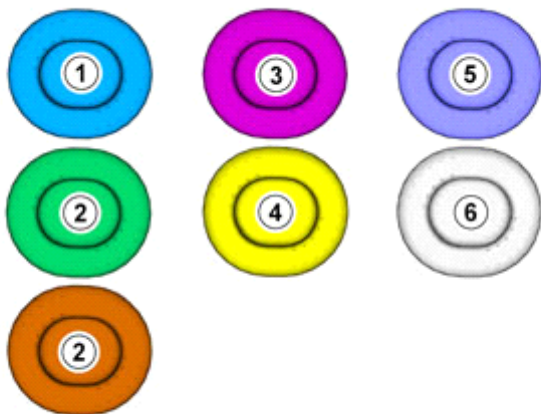
## Conditions

2

When installing, the car must retain a temperature of 20 degrees C.

## Color symbols

3



IMG-363036

### Note!

This colour chart displays (in colour print and electronic version) the importance of the different colours used in the images of the method steps.

1. Used for focused component, the component with which you will do something.
2. Used as extra colors when you need to show or differentiate additional parts.
3. Used for attachments that are to be removed/installed. May be screws, clips, connectors, etc.
4. Used when the component is not fully removed from the vehicle but only hung to the side.
5. Used for standard tools and special tools.
6. Used as background color for vehicle components.

## Removal

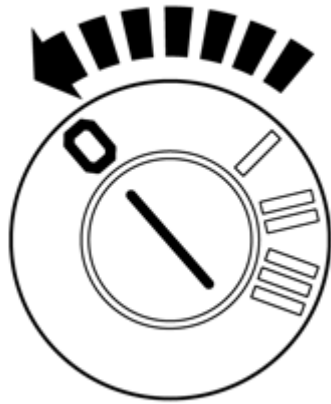


# Installation instructions, accessories

Volvo Car Corporation Gothenburg, Sweden

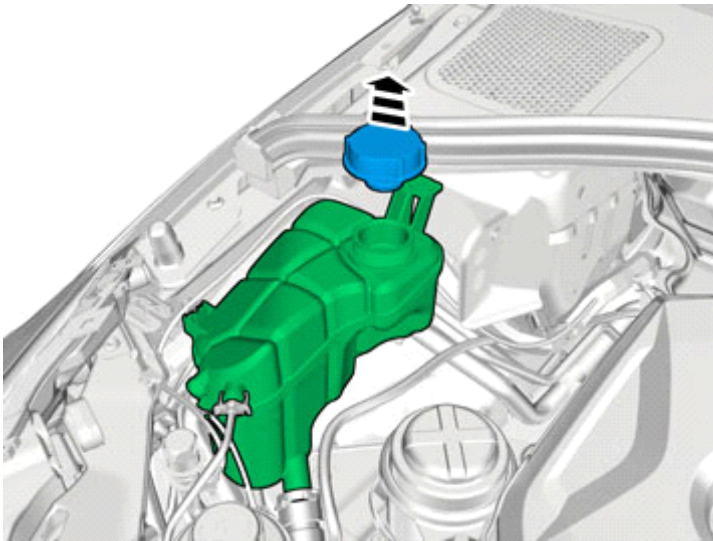
4

Set the ignition key to position 0.



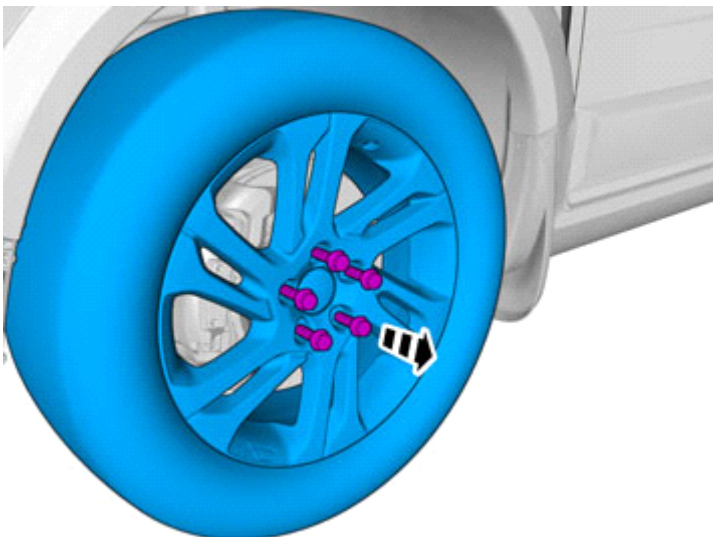
IMG-332193

5



IMG-351277

6



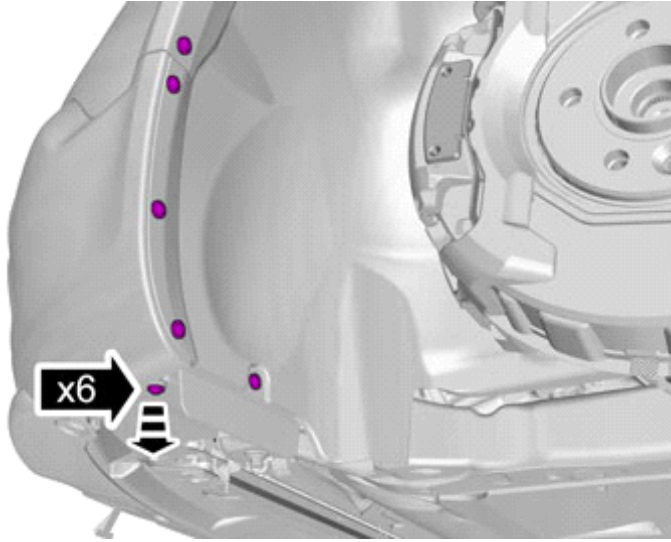
IMG-380083



# Installation instructions, accessories

Volvo Car Corporation Gothenburg, Sweden

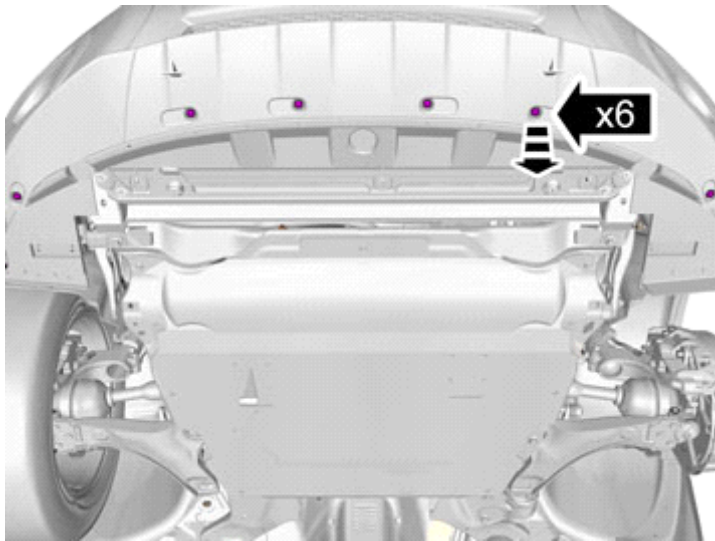
7



IMG-380084

Remove the screws.

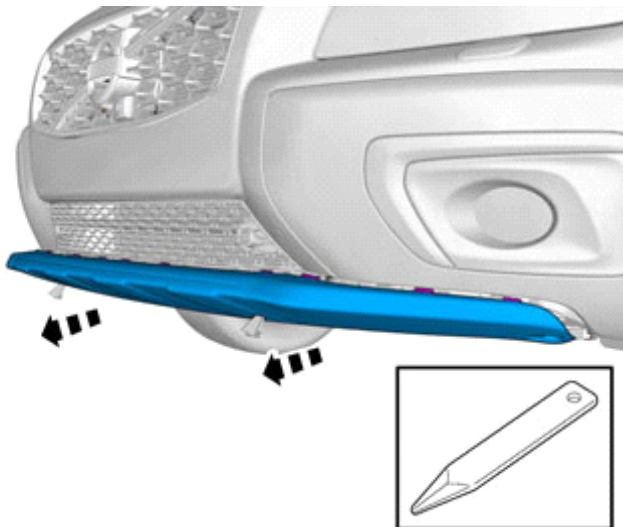
8



IMG-380092

Remove the screws.

9



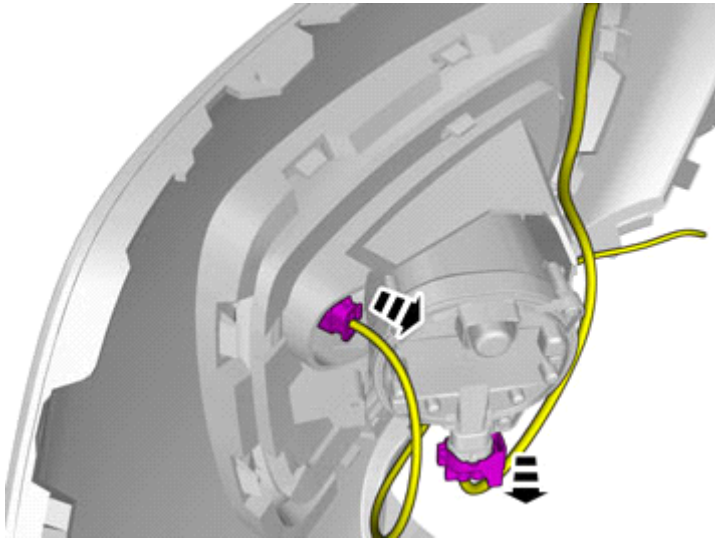
IMG-380086



# Installation instructions, accessories

Volvo Car Corporation Gothenburg, Sweden

10



IMG-380085

Disconnect the connector for the fog lamp.

Disconnect the connector.

11



IMG-380087

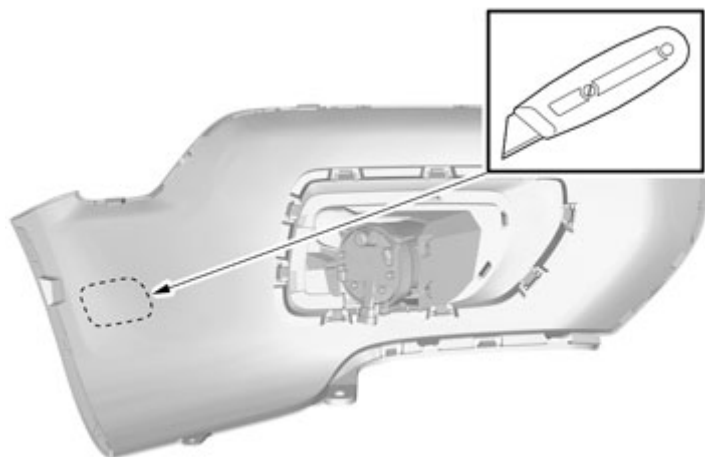
Remove the panel.



# Installation instructions, accessories

Volvo Car Corporation Gothenburg, Sweden

12



**Caution!**  
Cut carefully to avoid unintentional damage or personal injury.

Locate relevant marking.

IMG-380088

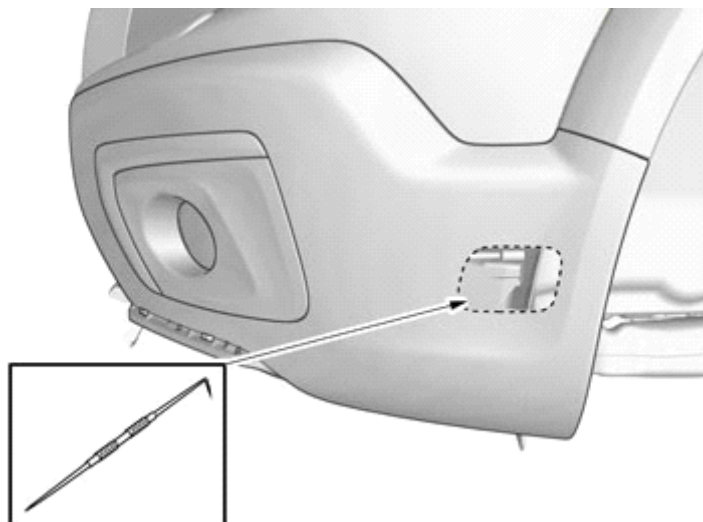
13



Install the panel.

IMG-380090

14



Scribe/mark up

IMG-380089





# Installation instructions, accessories

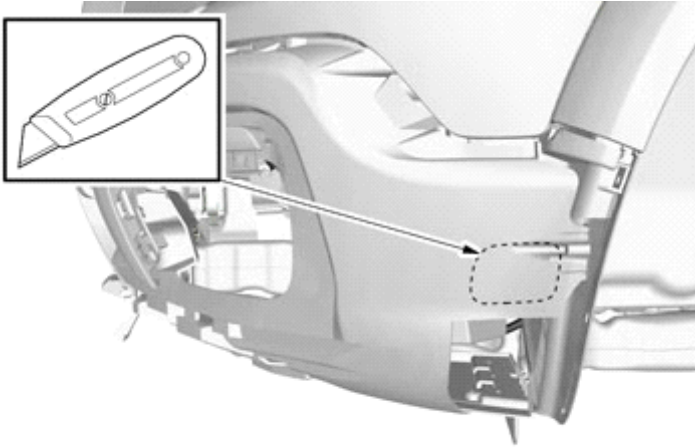
Volvo Car Corporation Gothenburg, Sweden

15



IMG-380087

16



**Caution!**

Cut carefully to avoid unintentional damage or personal injury.

IMG-380101

17



IMG-380090

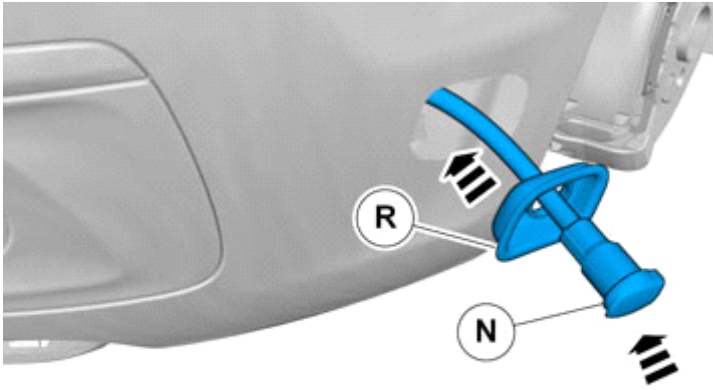


# Installation instructions, accessories

Volvo Car Corporation Gothenburg, Sweden

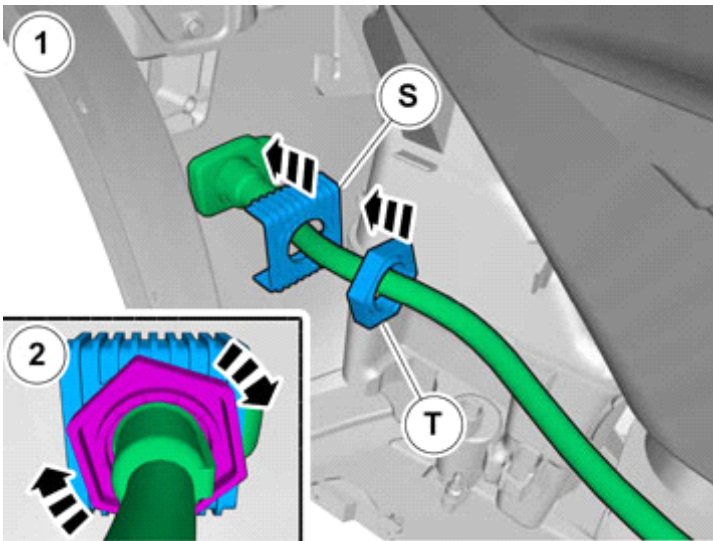
## Accessory installation

18



IMG-380921

19



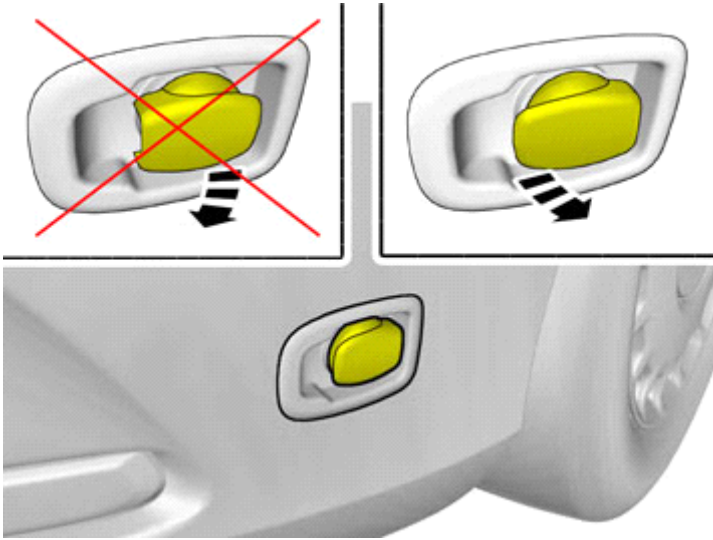
IMG-380276



# Installation instructions, accessories

Volvo Car Corporation Gothenburg, Sweden

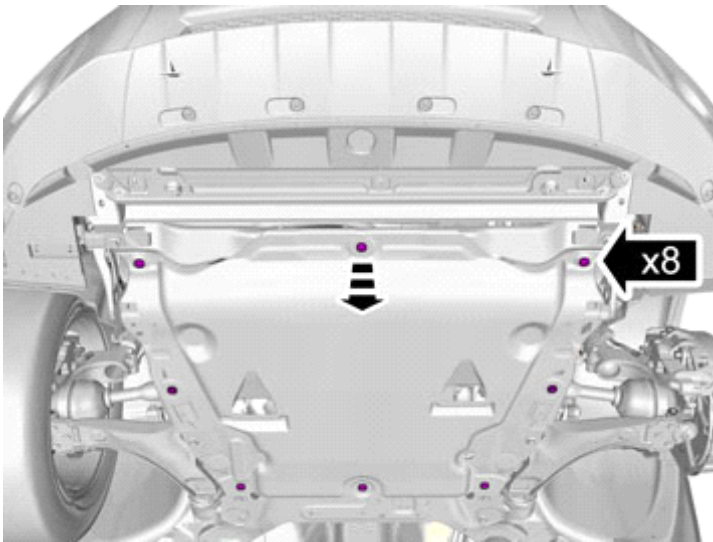
20



IMG-363401

## Removal

21



IMG-380093

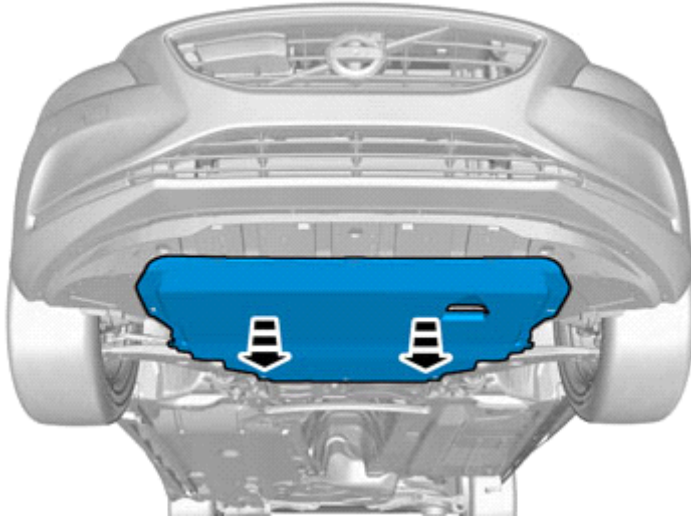
Remove the screws.



# Installation instructions, accessories

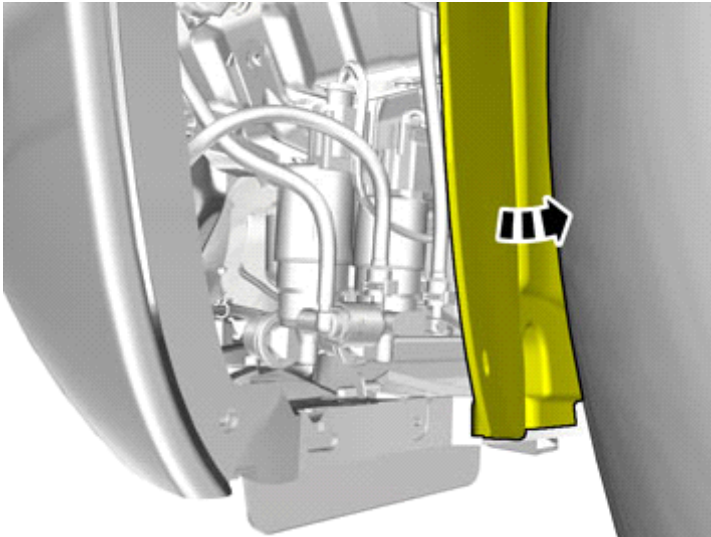
Volvo Car Corporation Gothenburg, Sweden

22



IMG-358531

23



IMG-341914

Fold the wing liner to one side.

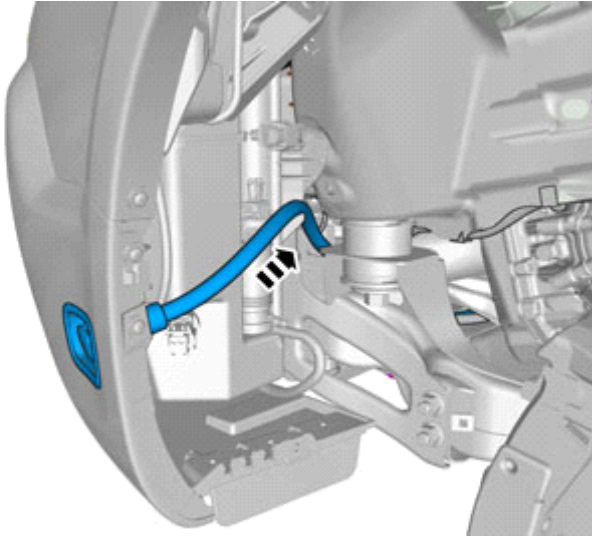
## Accessory installation



# Installation instructions, accessories

Volvo Car Corporation Gothenburg, Sweden

24

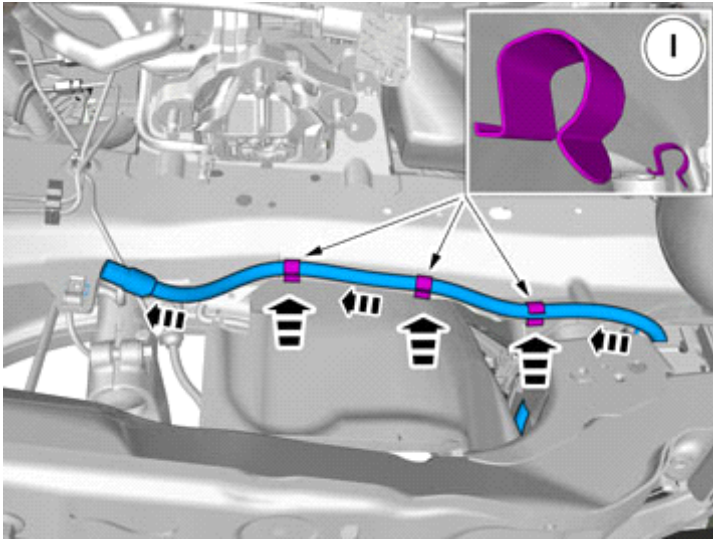


IMG-380094

**Caution!**

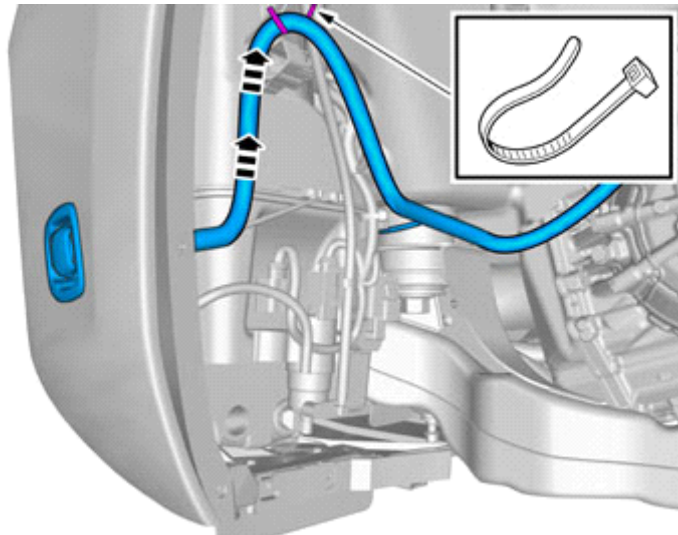
Ensure that the wire or wiring harness cannot rub against adjacent components.

25



IMG-380265

26



IMG-381753

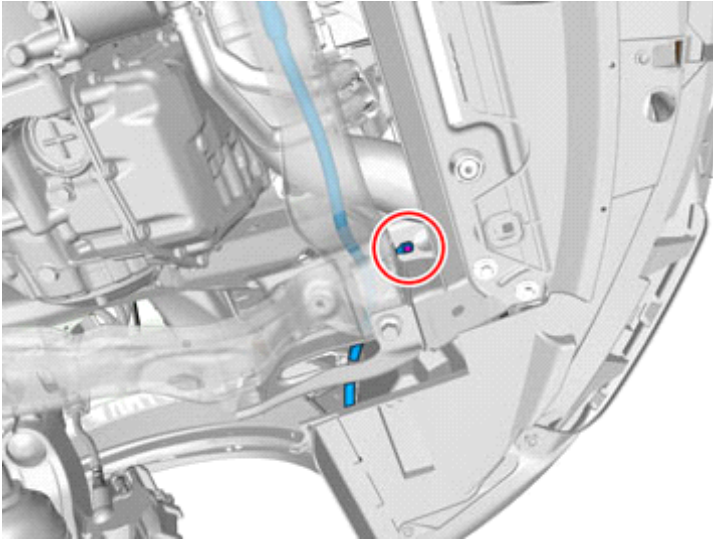
Attach any excess wire to the wiring harness.



# Installation instructions, accessories

Volvo Car Corporation Gothenburg, Sweden

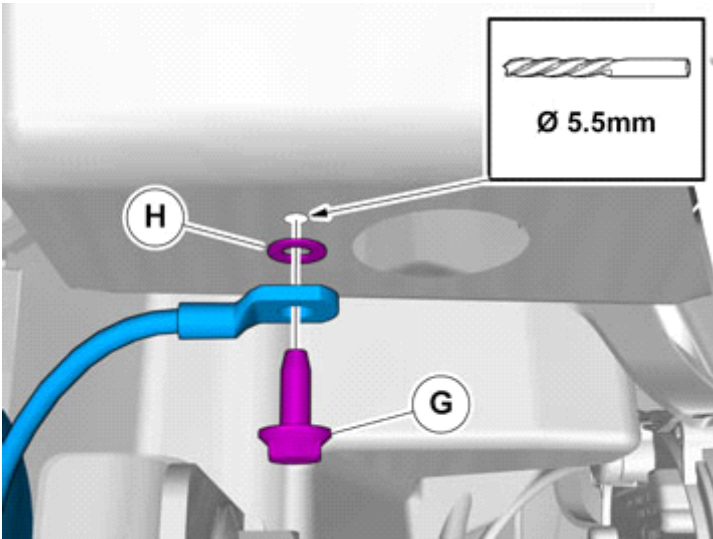
27



IMG-380107

**Note!**  
Orientation view

28



IMG-380106

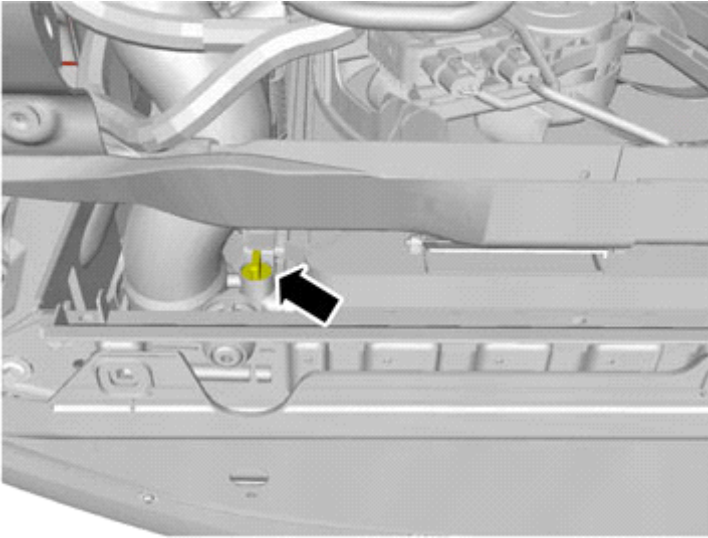
**Removal**



# Installation instructions, accessories

Volvo Car Corporation Gothenburg, Sweden

29



IMG-316303

Place a container under the car.

Drain the coolant.

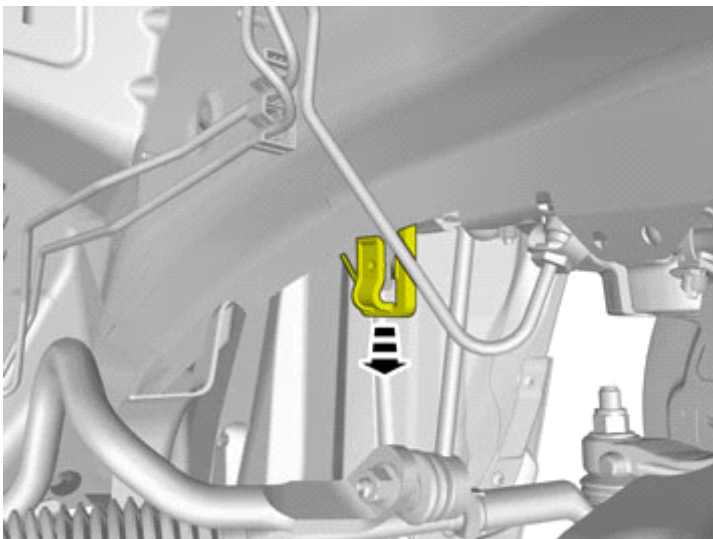
30



IMG-380708

**Note!**  
Orientation view

31



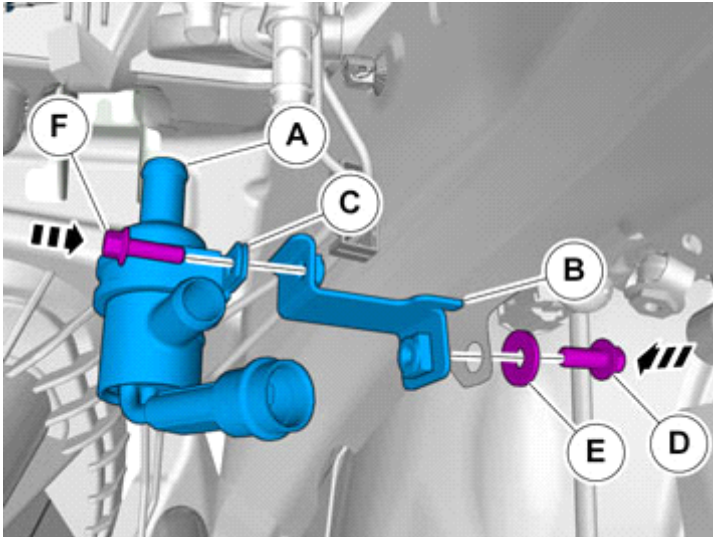
IMG-380929

Loosen the clip.



## Accessory installation

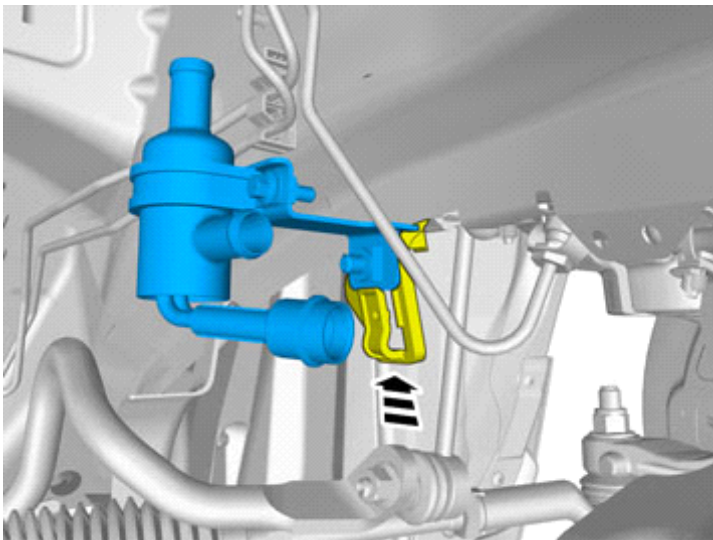
32



IMG-380284

### Installation

33



IMG-380928

Install the clip(s).

### Removal

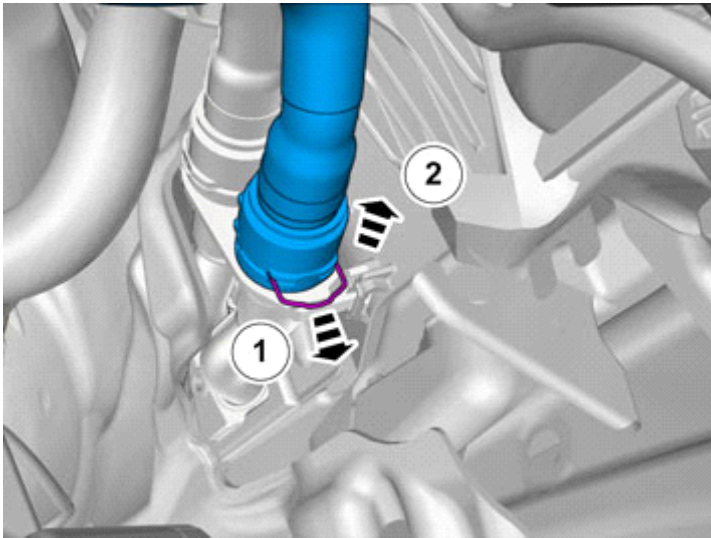




# Installation instructions, accessories

Volvo Car Corporation Gothenburg, Sweden

34



IMG-380706

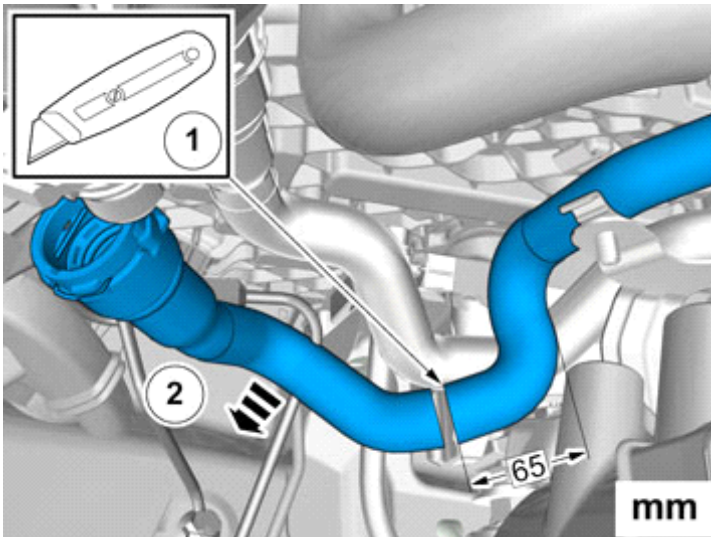
**Warning!**

Be prepared to collect escaping fluid.

Loosen the clip.

Remove the hose.

35



IMG-380711

Remove the hose.

The part is not to be reused.

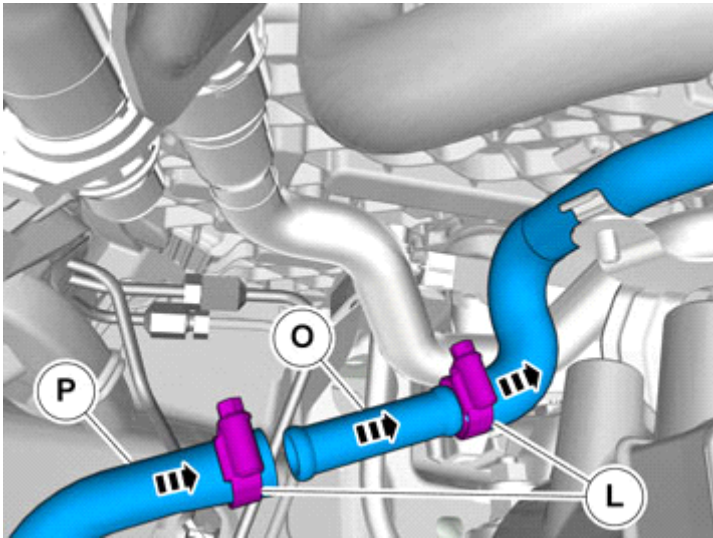
## Accessory installation



# Installation instructions, accessories

Volvo Car Corporation Gothenburg, Sweden

36

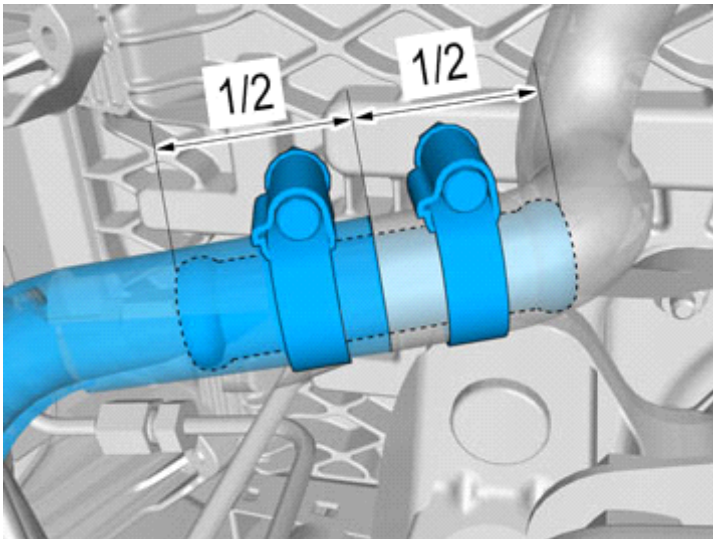


IMG-380811

Install the hose.

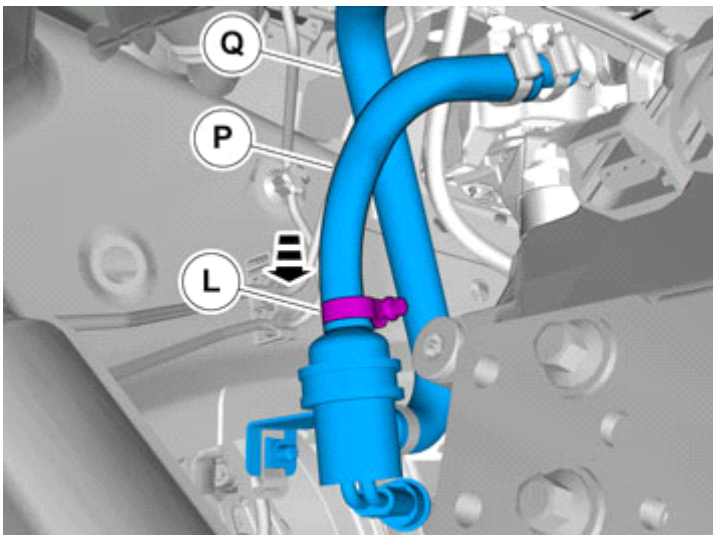
Tighten the hose clamps.

37



IMG-381572

38



IMG-380813

Install the hose.

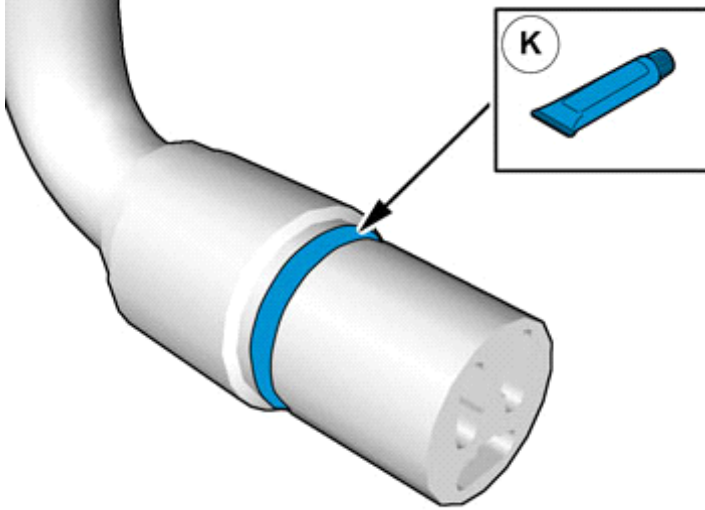
Tighten the hose clamp.



# Installation instructions, accessories

Volvo Car Corporation Gothenburg, Sweden

39



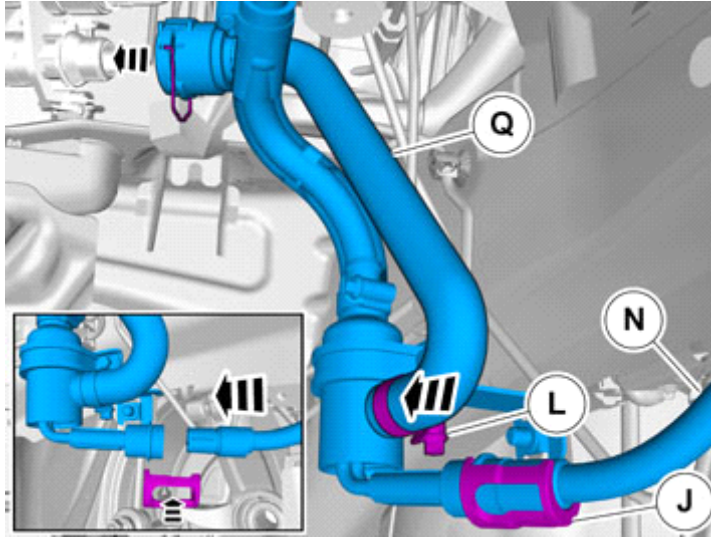
**Caution!**  
No grease on contact surfaces.

Lubricate the O-ring.

**Use:** 1161761, Grease

IMG-362914

40



Install the hose.

Tighten the hose clamp.

Connect the prerouted cable.

Install the catch.

IMG-380814

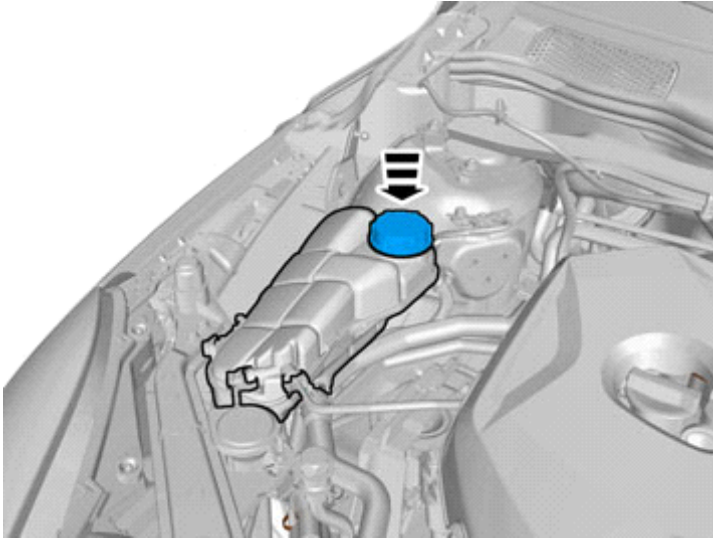
**Installation**



# Installation instructions, accessories

Volvo Car Corporation Gothenburg, Sweden

41



IMG-363206

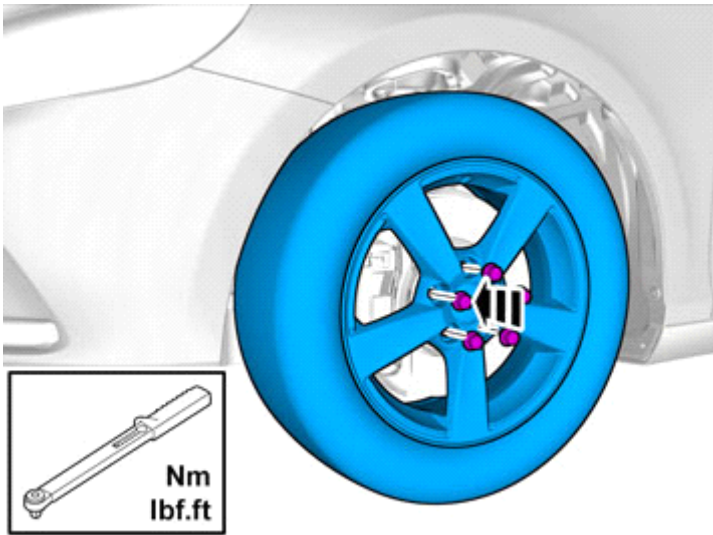
Reinstall the removed parts in reverse order.

Fill with coolant and run the engine to operating temperature.

Vent the cooling system and check for leakage.

Post-fill the cooling system if necessary.

42



IMG-370207

**Tightening torque:** Wheel to wheel hub

Stage 1: 20 Nm

Stage 2: 140 Nm